

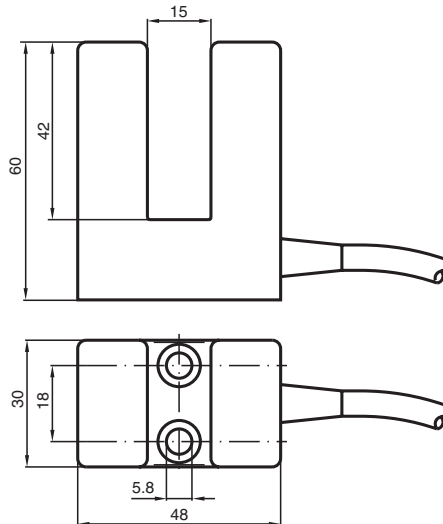
# Inductive slot sensor

## SJ15-A2

- 15 mm slot width
- 4-wire DC



### Dimensions



### Technical Data

General specifications			
Switching function			complementary
Output type			PNP
Slot width			15 mm
Depth of immersion (lateral)			17 ... 20 mm
Output polarity			DC
Output type			4-wire
Nominal ratings			
Nominal voltage	$U_o$	8 V	
Operating voltage	$U_B$	10 ... 30 V DC	
Switching frequency	$f$	0 ... 500 Hz	
Reverse polarity protection			reverse polarity protected
Short-circuit protection			pulsing
Voltage drop	$U_d$	$\leq 3$ V	
Operating current	$I_L$	0 ... 200 mA	
No-load supply current	$I_0$	$\leq 20$ mA	

Release date: 2023-04-21 Date of issue: 2023-04-21 Filename: 003795\_eng.pdf

Refer to "General Notes Relating to Pepperl+Fuchs Product Information".

Pepperl+Fuchs Group  
www.pepperl-fuchs.com

USA: +1 330 486 0001  
fa-info@us.pepperl-fuchs.com

Germany: +49 621 776 1111  
fa-info@de.pepperl-fuchs.com

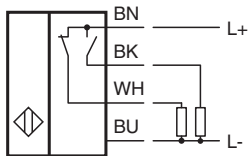
Singapore: +65 6779 9091  
fa-info@sg.pepperl-fuchs.com

**PF** PEPPERL+FUCHS

## Technical Data

Compliance with standards and directives		
Standard conformity		
Standards		EN 60947-5-2:2007 EN 60947-5-2/A1:2012 IEC 60947-5-2:2007 IEC 60947-5-2 AMD 1:2012
Approvals and certificates		
UL approval		cULus Listed, General Purpose
CSA approval		cCSAus Listed, General Purpose
CCC approval		CCC approval / marking not required for products rated ≤36 V
Ambient conditions		
Ambient temperature		-25 ... 70 °C (-13 ... 158 °F)
Mechanical specifications		
Connection type		cable
Housing material		PBT
Degree of protection		IP67
Cable		
Wire end ferrules		yes
Cable diameter		6.8 mm ± 0.2 mm
Bending radius		> 10 x cable diameter
Material		PVC
Color		Gray
Number of cores		4
Core cross section		0.75 mm <sup>2</sup>
Length	L	2 m
Mass		245 g

## Connection



Release date: 2023-04-21 Date of issue: 2023-04-21 Filename: 003795\_eng.pdf

Refer to "General Notes Relating to Pepperl+Fuchs Product Information".

Pepperl+Fuchs Group  
www.pepperl-fuchs.com

USA: +1 330 486 0001  
fa-info@us.pepperl-fuchs.com

Germany: +49 621 776 1111  
fa-info@de.pepperl-fuchs.com

Singapore: +65 6779 9091  
fa-info@sg.pepperl-fuchs.com